

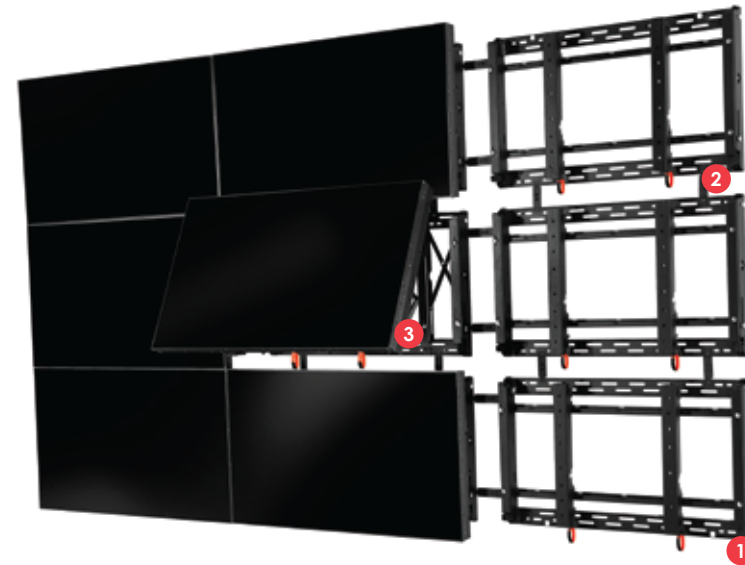


Digital Signage Collection

AUDIO VISUAL SOLUTIONS FOR DIGITAL SIGNAGE APPLICATIONS

peerless-AV™

VIDEO WALL MOUNTS



DS-VW765-LAND
3 x 3 display configuration shown, limitless configurations possible.

1. 8 MICRO-ADJUSTMENTS AT YOUR FINGERTIPS
8 micro-adjustment points between displays offer the easiest way to perfectly align multiple displays in limitless configurations

2. ELIMINATE GUESSWORK AND ON-SITE CALCULATIONS
Model-specific wall plate spacers connect between the mounts to ensure perfect spacing alignment between displays, saving you time and effort

3. QUICK ACCESS TO DISPLAY COMPONENTS
Pull-out and prop-open display component access lets you service the video wall without any hassle



Accessories page 24

	DS-VW650	DS-VW665	DS-VW765-LAND	DS-VW765-POR	DS-VW646-2X2 DS-VW660-2X2	DS-VWSxxx(-P)	DS-ACC765
ULTRA THIN FLAT VIDEO WALL MOUNT COLOR: Black	VIDEO WALL MOUNTING SOLUTION COLOR: Black	FULL-SERVICE VIDEO WALL MOUNT COLOR: Black	FULL-SERVICE VIDEO WALL MOUNT COLOR: Black	UNIVERSAL 2X2 VIDEO WALL MOUNTING KIT COLOR: Black	VIDEO WALL SPACER KIT COLOR: Black	CABLE RELEASE KIT FOR PEERLESS-AV FULL SERVICE VIDEO WALL MOUNTS (DS-VW765-LAND, DS-VW765-POR) COLOR: Black	
<ul style="list-style-type: none"> Unique modular design offers unlimited video wall display configurations Custom wall plate spacers eliminate extra measuring and guesswork during installation Simple horizontal adjustment makes aligning displays quick and easy Ultra-thin design provides a streamlined video wall profile Durable locking rail holds display ensuring a safe and secure installation Includes security hardware that can help deter tampering or loss 	<ul style="list-style-type: none"> Modular mount for unlimited video wall display configurations Tool-less micro adjustment at 8 points seamlessly align the displays Custom wall plate spacers eliminate the guesswork and on-site installation calculations Integrated cable management tie-backs make display-to-display cabling simple Displays and mounts sit flush against the wall for a clean profile Included security hardware deters tampering and theft 	<ul style="list-style-type: none"> Modular mount for unlimited video wall display configurations utilized for landscape applications Custom wall plate spacers eliminate the guesswork and on-site installation calculations Tool-less 8-point micro adjustments for easy display alignment Pull-out/prop-open mechanism provides quick service access Integrated cable management tie-backs make display-to-display cabling simple Security hardware option prevents displays from articulating 	<ul style="list-style-type: none"> Modular mount for unlimited video wall display configurations utilized for portrait applications Custom wall plate spacers eliminate the guesswork and on-site installation calculations Tool-less 8-point micro adjustments for easy display alignment Pull-out/prop-open mechanism provides quick service access Integrated cable management tie-backs make display-to-display cabling simple Security hardware option prevents displays from articulating 	<ul style="list-style-type: none"> 2 x 2 video wall mounting kit Horizontal adjustment makes mounting and aligning displays quick and easy Included security screws deter tampering and theft ADA compliant with displays measuring 1.71" deep or less Includes adapter rail alignment measuring plate to assist in the mounting of the displays 	<ul style="list-style-type: none"> Custom spacer kit to accommodate DS-VW765-LAND, DS-VW765-POR, DS-VW660 and DS-VW650 Video Wall Mounting Systems Reduces the guesswork of installation calculations 	<ul style="list-style-type: none"> Makes maintenance quick and easy Thin and durable cable Tough, long-lasting fastener for secure attachment Provides access to recessed wall areas Enables display to stay positioned in video wall matrix during maintenance 	
Display size	40" to 50"	40" to 65"	40" to 65"	40" to 65"	40" to 46" DS-VW646-2X2 46" to 60" DS-VW660-2X2	* Contact Customer Care to Order Custom Spacers Specifically for your video wall configuration	
VESA® pattern	100mm increments starting at 200 x 200mm up to 600 x 400mm	100mm increments starting at 200 x 200mm up to 700 x 400mm <i>Additional patterns supported with adapter plates</i>	100mm increments starting at 200 x 200mm up to 700 x 400mm <i>Additional patterns supported with adapter plates</i>	100mm increments starting at 200 x 200mm up to 400 x 600mm <i>Additional patterns supported with adapter plates</i>	1733 x 1136mm DS-VW646-2X2 2070 x 1318mm DS-VW660-2X2		
Distance from the wall	0.69" (17.53mm)	3.08"-3.83" (78-97mm)	3.08"-3.83" (78-97mm)	3.08"-3.83" (78-97mm)	2.28" (58mm)		
Micro-adjustments	—	8-point tool-less adjustment	8-point tool-less adjustment	8-point tool-less adjustment	—		
Horizontal display adjustment	Yes	Yes	Yes	Yes	Yes		
Security	Yes	Yes	Yes	Yes	Yes		
Max load	75lb (34.02kg)	TBD	150lb (68kg)	150lb (68kg)	600lb (272kg)		
Listings							

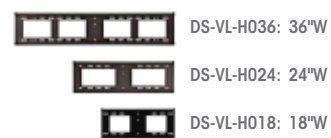
DIGITAL MENU BOARD KIT



DS-VL-H048 and DS-VL-H036 and ACC-DSV329 with accessory DS-ACC-LDCM shown

- 1. NO MEASURING**
Install multiple displays onto one mounting system with virtually no measuring required
- 2. INFINITE POSSIBILITIES**
Create any combination of wall plates and vertical rails forming a limitless linear array of displays
- 3. INSTALLATION SECURITY**
Prevent tampering and theft with included security hardware
- 4. VERSATILITY**
Portrait or landscape orientation with tilt at -5, 0, 5, 10 degrees

DIGITAL MENU BOARD KIT

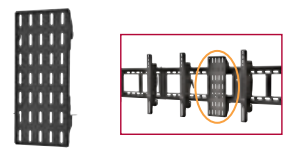


DS-VL-H models

ACC-DSV models



ACCESSORY



DS-ACC-LDCM

DIGITAL MENU BOARD KIT - HORIZONTAL WALL PLATES

COLOR: Black

- Adjustable up to 15° of forward tilt and -5° backward tilt for optimal viewing angle
- Infinite horizontal configuration
- Displays and mounts sit flush against the wall for a clean appearance
- Displays can be mounted both landscape and portrait
- Horizontal display adjustment

Customizable mounting kit that can hold any number of displays, landscape or portrait, in an infinite linear formation
Contact Customer Care for assistance in calculating your Linear Display configuration or visit info.peerless-av.com/menuboard

DIGITAL MENU BOARD KIT - VERTICAL DISPLAY MOUNTING RAILS

COLOR: Black



CABLE MANAGEMENT ACCESSORY

COLOR: Black

- Neatly secures cables into one location
- Organizes cables out of viewing area of display arrangement
- Easy and fast cable management using cable ties and easy access slots

Accessories page 24

Display size	20" to 65"
VESA® pattern	—
Distance from the wall	—
Tilt	—
Landscape to portrait	—
Security	Yes
Max load	350lb (158.8kg)
Listings	RoHS

Display size	20" to 65"	
ACC-DSV240:	Up to 240mm	ACC-DSV503: Up to 503mm
ACC-DSV329:	Up to 329mm	ACC-DSV745: Up to 745mm
ACC-DSV449:	Up to 449mm	
ACC-DSV240:	2.55" (65mm)	ACC-DSV503: 2.6" (66mm)
ACC-DSV329:	2.6" (66mm)	ACC-DSV745: 2.6" (66mm)
ACC-DSV449:	2.6" (66mm)	
Tilt	-5°, 0°, 5°, 10°, 15°	
Landscape to portrait	Yes	
Security	Yes	
ACC-DSV240:	125lb (56kg)	ACC-DSV503: 250lb (113.4kg)
ACC-DSV329:	150lb (68kg)	ACC-DSV745: 350lb (158.8kg)
ACC-DSV449:	175lb (79kg)	
Listings	RoHS	

INDOOR DIGITAL SIGNAGE/KIOSK ENCLOSURES



- 1. CAM LOCKED TOP FRAME**
Enhanced security while maintaining an attractive appearance
- 2. PRECISION ALIGNMENT**
8 points of tool-less micro-adjustment
- 3. SLIM PROFILE**
Accentuates the design of the ultra thin display
- 4. AESTHETIC OPTIONS AVAILABLE**
Easily customized to best fit the environment

KL540-S shown



Cam locked rear door access



ACC-F200



KL540-S | KL546-S



ACC-F100



ACC-MS40 | ACC-MS46

KP555-S

INDOOR DIGITAL SIGNAGE/KIOSK ENCLOSURE – PORTRAIT
COLOR: Silver

- Designed for ultra-thin displays to accentuate slim design and large screen real estate (Samsung ME55A, NEC X551S, others)
- Supports a wide range of aesthetic options including multiple colors, acrylic trim, vinyl wraps, etc. to best match the environment's look and feel or promote a brand strategy
- Rear door allows easy access to the display, media player and other internal components for easy maintenance and enhanced security
- Hinged display mounting arm offers ease of installation & ease of access to the display
- Eight points of tool-less adjustment quickly positions the display in the kiosk window for flush alignment
- Cam locked rear door offers enhanced security while maintaining an attractive appearance
- Other options include cooling fans and speakers to best meet client needs

PORTRAIT COOLING FAN ASSEMBLY

- Dual Ball bearing cooling fans (2)
- Daisy Chain Green Fan Card with thermostat saves up to 66% energy costs
- Air Flow: 80 CFM per unit
- Noise Level: 34dBA
- 110V
- RoHS Compliant

INDOOR DIGITAL SIGNAGE/KIOSK ENCLOSURE – LANDSCAPE
COLOR: Silver

- Designed for ultra-thin displays to accentuate slim design and large screen real estate (KL540-S for Samsung ME40A and other 40" Ultra-thin LCD displays and KL546-S for Samsung ME46A and other 46" Ultra-thin LCD displays)
- Supports a wide range of aesthetic options including multiple colors, acrylic trim, vinyl wraps, etc. to best match the environment's look and feel or promote a brand strategy
- Hinged top frame offers easy access to the display and other internal components for easy maintenance and enhanced security
- Keyed rear door offers easy access to a media player for easy maintenance
- Eight points of tool-less adjustment quickly positions the display in the kiosk window for flush alignment
- Base can be free standing or bolted to the floor to increase security
- Other options include cooling fans, speakers, beveled top frame to best meet client needs

LANDSCAPE COOLING FAN ASSEMBLY

- Dual Ball bearing cooling fan (1)
- Green Fan Card with thermostat reduces energy costs by up to 66%
- Air Flow: 80 CFM
- Noise Level: 34dBA
- 110V
- RoHS Compliant

LARGE MEDIA STORAGE KIT

- Sleek design blends into the back of the landscape kiosk enclosure
- Provides storage space of 18.5" x 16.25" x 4.75"
- Included security hardware deters tampering and theft

Accessories page 24

Display size	55" Ultra-thin Displays
VESA® pattern	200 x 200 up to 400 x 600mm
Micro-adjustments	8-point tool-less adjustment
Horizontal display adjustment	Yes
Security	Yes
Max load	75lb (34kg)
Listings	RoHS

Display size	40" Ultra-thin Displays <i>KL540-S</i> 46" Ultra-thin Displays <i>KL546-S</i>
VESA® pattern	200 x 200 up to 600 x 400mm
Micro-adjustments	8-point tool-less adjustment
Horizontal display adjustment	Yes
Security	Yes
Max load	75lb (34kg)
Listings	RoHS

Listings	RoHS
----------	------

VIDEO WALL CARTS



DS-VWC560 shown

- 1. VERSATILE**
2 x 2 and 2 x 1 configuration options
- 2. NO TOOLS REQUIRED FOR MICRO-ADJUSTMENT**
Simple tool-less micro adjustment aligns displays seamlessly
- 3. HEIGHT ADJUSTMENT**
Multiple mounting slots allow for multiple height options
- 4. HEAVY DUTY STEEL CASTERS**
5" casters allow the cart to roll easily over various floor surfaces



DS-VWC560



DS-VWC655-3X3

DIGITAL SIGNAGE PORTABLE VIDEO WALL CART
COLOR: Black

- Lockable 5" casters enable safe and easy maneuverability over various flooring surfaces
- Displays are height adjustable
- Tool-less micro adjustment of display front for precise alignment
- 2 x 2 or 2 x 1 configuration
- Cable management through the stand uprights
- 200, 300, 400 (vertical) and PLP mounting hole patterns

UNIVERSAL 3X3 VIDEO WALL CART
COLOR: Black

- Displays are height adjustable
- 5" casters provide effortless movability
- Tool-less micro adjustment allow for precise alignment
- Cable management through the stand uprights
- Base cover with internal media player shelf, hides wires for a clean appearance

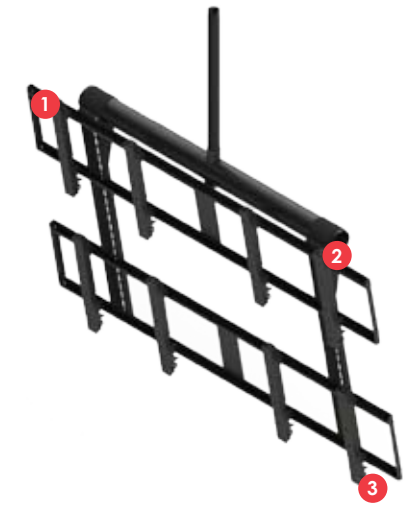
Accessories page 24

- Display size
- VESA® pattern
- Micro-adjustments
- Horizontal display adjustment
- Security
- Max load
- Listings

Display size	40" to 60"
VESA® pattern	200, 300 and 400mm vertically
Micro-adjustments	4-point tool-less adjustment
Horizontal display adjustment	Yes
Security	Yes
Max load	500lb (227kg)
Listings	

Display size	42" to 55"
VESA® pattern	Up to 600 x 400mm
Micro-adjustments	6-point tool-less adjustment
Horizontal display adjustment	Yes
Security	Yes
Max load	1000lb (454kg)
Listings	

VIDEO WALL CEILING MOUNTS

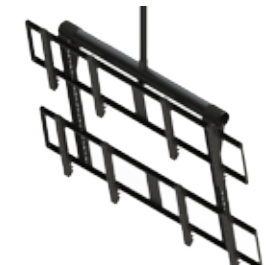


DS-VWT955-2X2 shown

- 1. UNIVERSAL**
Fits most displays from 40" to 55"
- 2. TILT FUNCTIONALITY**
Can be used in multiple tilt positions for the ideal viewing angle
- 3. NO TOOLS REQUIRED FOR MICRO ADJUSTMENT**
Simple tool-less micro adjustment aligns displays seamlessly



DST940



DS-VWT955-2x2

DUAL DISPLAY CEILING MOUNT SYSTEM
COLOR: Black

- Single adapter plate keeps the face of both displays on the same plane
- Easy glide bracket design ensures displays are securely attached to the adapter plate
- Universal display adapters quickly hook onto adapter plate for fast installation
- Horizontal adjustment allows displays to easily slide together for a seamless appearance

UNIVERSAL 2X2 CEILING MOUNT
COLOR: Black

- Ceiling mounted 2 x 2 video wall solution
- Supports mounting hole patterns of 200x200 up to 600x400. Additional patterns supported with adapter plates
- Tilts options of 5, 10, 15 and 20 degrees
- Tool-less micro depth adjustment allow for precise alignment
- Displays can be adjusted horizontally and vertically for alignment purposes
- Compatible with Peerless-AV standard columns
- Included security hardware deters tampering and loss

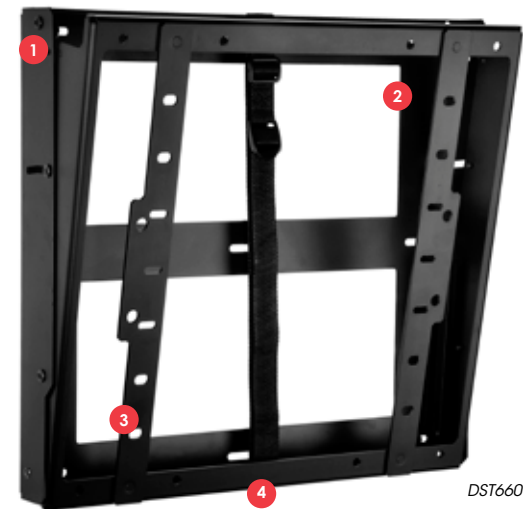
Accessories page 24

- Display size
- VESA® pattern
- Tilt
- Micro-adjustments
- Horizontal display adjustment
- Security
- Max load
- Listings

Display size	37" to 46"
VESA® pattern	Up to 600 x 400mm
Tilt	0°-20°
Micro-adjustments	—
Horizontal display adjustment	Yes
Security	Yes
Max load	150lb (68kg)
Listings	

Display size	40" to 55"
VESA® pattern	Up to 600 x 400mm
Tilt	+5°, +10°, +15° and 20°
Micro-adjustments	6-point tool-less adjustment
Horizontal display adjustment	Yes
Security	Yes
Max load	400lb (182kg)
Listings	

WALL MOUNTS WITH MEDIA STORAGE



DST660 shown

- 1. ADJUSTABLE VIEWING ANGLE**
Continuous or fixed tilt options available
- 2. COMPONENT STORAGE**
Houses and stores computers, media controllers and graphics drivers
- 3. UNIVERSAL**
Accommodates VESA® patterns from 200 x 100 up to 400 x 400mm without the need for an adapter
- 3. PROP BARS**
Allows access to the component storage area without having to remove the display



	DS508	DS509	DST660	DS246	DS415	DMU50SM	DSX750
DS508	FLAT/TILT WALL MOUNT WITH MEDIA PLAYER STORAGE COLOR: Black	SLIM TILT MOUNT WITH MEDIA PLAYER STORAGE COLOR: Black	FLAT/TILT WALL MOUNT WITH MEDIA PLAYER STORAGE COLOR: Black	TILT WALL MOUNT WITH MEDIA PLAYER STORAGE COLOR: Black	TILT WALL MOUNT WITH MEDIA PLAYER STORAGE COLOR: Black	SLIDE-OUT WALL MOUNT WITH MEDIA PLAYER STORAGE COLOR: Black	MEDIA PLAYER HOLDER ACCESSORY COLOR: Black
	<ul style="list-style-type: none"> Accommodates media players up to 3.95" x 14.9" x 13.3" (100 x 378 x 337mm) Convenient access to remove media device maintenance without removing display Displays can be mounted both landscape and portrait orientation PLP compatible 	<ul style="list-style-type: none"> Accommodates media players up to 2.0" x 14.9" x 9.0" (51 x 378 x 229mm) Convenient access to remove media device maintenance without removing display Displays can be mounted both landscape and portrait orientation PLP compatible 	<ul style="list-style-type: none"> Accommodates media players up to 12" x 13" x 2.4" (305 x 330 x 61mm) The media player can be removed from the bottom if replacement, repair or maintenance is necessary without having to remove the display Display can be mounted in portrait or landscape Continuous tilt options from 0-10 degrees or fixed at 0, 3.5 and 7 degrees Included security hardware deters tampering and loss 	<ul style="list-style-type: none"> Houses a media player up to 11.3" x 9.5" x 2.5" (287 x 241 x 63 mm) Designed to fit LG M2900S-BN and LG M3800S-BN stretch displays Ideal for stretch displays with single stud applications Requires PLP display adapter plate PLP-V4X2, sold separately, see page 24 Additional solutions available for multiple display configurations Portrait or landscape orientation 	<ul style="list-style-type: none"> Houses a media player up to 3.58" x 10.82" x 14.05" (91 x 275 x 357mm) Adjustable tilt up to 10 degrees Provides two side access panels for easy maintenance Internal cable management hides cables for a clean, clutter free appearance VESA® 100 x 100, 200 x 100, 200 x 200mm and PLP adapter plate compatible Mounts to wood or metal studs on 16" (406mm) centers 	<ul style="list-style-type: none"> Designed to house the Aopen® DE-945CD media player, measuring 6.5" x 6.5" x 1.75" (165 x 165 x 44mm) Clean installation, formed holders organize and store excess cable length within the mount for a clean clutter free look Secure storage - keyed cam-lock deters tampering and theft Quick service, slide out plate features finger holes and nylon glides for quick access of content driver and cable access post installation 	<ul style="list-style-type: none"> Houses media player behind the display up to 9.5" x 7.75" x 2.5" (241 x 197 x 63mm) Compatible with a variety of Peerless-AV pullout articulating wall mounts Prop open feature provides quick service access without removing display Security screws prevent tampering and theft Landscape or portrait orientation

Accessories page 24

Display size	27" to 60"	25" to 60"	40" to 60"	29" to 38"	32" to 52"	37" to 60"	32" to 60"
VESA® pattern	100 x 100, 200 x 200, 200 x 100mm	100 x 100, 200 x 200, 100 x 200, 200 x 100mm	From 200 x 100 up to 400 x 400mm	400 x 200mm <i>Requires PLP adapter plate PLP-V4X2, sold separately</i>	100 x 100, 200 x 100, 100 x 200, 200 x 200mm <i>Additional PLP adapter plates also available</i>	up to 705 x 433mm	100 x 100, 200 x 100, 100 x 200, 200 x 200mm
Distance from the wall	4.75" (121mm)	2.75" (70mm)	2.83" (72mm)	3.1" (78mm)	4.18" (106mm) <i>(plus thickness of adapter plate)</i>	2.67" (68mm)	3.63" (92mm)
Tilt	0°, 5°, & 10°	0°, 5°, & 10°	0°-10°	+12°	+10°	—	+25° <i>(for media player access)</i>
Increlock™	0°, 5° & 10°	0°, 5° & 10°	0°, 3.5° & 7°	±20°	0°, 5° & 10°	—	—
Landscape to portrait	Yes	Yes	Yes	Yes	Yes	—	Yes
Security	Yes	Yes	Yes	Yes	Yes	Yes	Yes
Max load	200lb (90.9kg)	200lb (90.9kg)	125lb (57kg)	50lb (22kg)	150lb (68kg)	125lb (56.6kg)	—
Listings	RoHS MADE IN USA	RoHS MADE IN USA	RoHS MADE IN USA	RoHS MADE IN USA	RoHS MADE IN USA	RoHS MADE IN USA	RoHS MADE IN USA

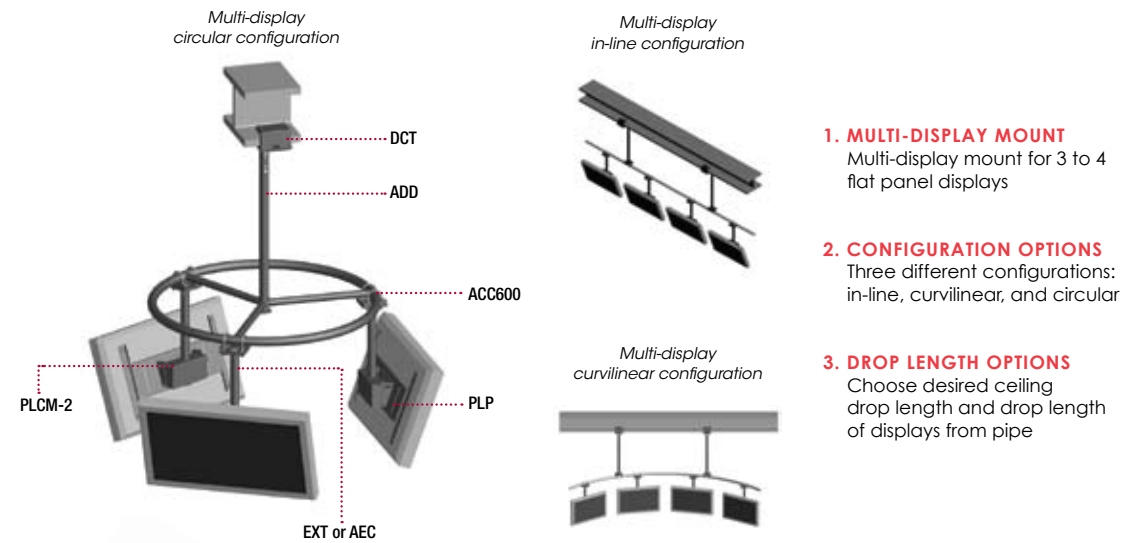
WALL, CORNER AND CEILING MOUNTS



- 1. CLEAN APPLICATION**
Internal cable Management delivers a clean, clutter-free side profile and rear view
- 2. UNIVERSAL**
Wide ranging VESA® pattern accommodates most displays
- 3. MEDIA CONTROLLER HOUSING**
Available area within mount for housing a computer or media controller device
- 4. SERVICE ACCESSIBILITY**
Removable rear cover provides computer or media controller service access without having to removing the display

							
	PANA-85WM	SP850-UNLP[S][GB][GS]	PS-1/PS-2	CM850(-S)	DST360	DST960	PANA-85CEIL
WALL MOUNT FOR 85" DISPLAY COLOR: Black	<ul style="list-style-type: none"> Tilts 0, 3.5, and 7 degrees Hook on design allows display to be easily placed into key hole slots Triple stud wall plate with attachment capability to wood studs, concrete or cinder Landscape or portrait 	PULL-OUT SWIVEL WALL MOUNT COLOR: Black, silver, high gloss black or high gloss silver <ul style="list-style-type: none"> Integrated cable management for a clean look Locking tab provides optional swivel restriction to one side Lock Key™ installation tool secures arms for easy display installation Lock-out feature prevents unwanted extension Includes hardware for installation to wood stud, concrete or cinder block 	SWIVEL AND TILT WALL MOUNT COLOR: Black <ul style="list-style-type: none"> Built-in leveling adjustment (no tools required) Theft-resistant security fasteners secure the display to the mount to keep equipment safe Portrait or landscape orientation options 	CORNER MOUNT COLOR: Black or silver <ul style="list-style-type: none"> Includes SmartMount® Pull-Out Swivel Mount (SP850-UNL) Extendable arms accommodate multiple display sizes without having to adjust wall mount placement Wall units accommodate speakers when used with smaller displays (wall unit maybe visible with some smaller displays) Optional shelf available for AV components (ACC324), see page 24 Includes hardware for installation to wood stud, concrete and cinder block 	FRONT VIEW (display attachment side) / BACK VIEW FLAT/TILT UNIVERSAL WALL OR CEILING MOUNT WITH MEDIA PLAYER STORAGE COLOR: Black <ul style="list-style-type: none"> Ideal for wall or ceiling mounted applications Universal mounting in either portrait or landscape orientation Built-in swivel up to 360° allows for optimum viewing angle for ceiling mount applications only Flat and tilt wall mount functionality (up to 20° tilt) Available area within mount for housing a computer or media controller device 15" x 9" x 3" (381 x 229 x 76mm) Mount folds open for easy access to the computer or media controller without removing the display 	FLAT/TILT UNIVERSAL CEILING MOUNT WITH COMPUTER/MEDIA PLAYER STORAGE COLOR: Black <ul style="list-style-type: none"> Universal mounting in either portrait or landscape orientation Continuous tilt from 0 – 15 degrees Available area within mount for housing a computer or media controller device 16.79" x 11.58" x 3.18" (426 x 294 x 81mm) Internal side and top mounting locations provided for an electrical box Clean design hides components and cable from view 	CEILING MOUNT FOR 85" DISPLAY COLOR: Black <ul style="list-style-type: none"> Keyhole slots provide easy installation Tilts 5, 10, 15, 20 degrees 360 degrees of swivel
Accessories page 24							
Display size	85"	32" to 65"	32" to 50" <small>PS-1</small> 42" to 71" <small>PS-2</small>	32" to 60"	26" to 60"	40" to 60"	85"
VESA® pattern	—	100, 200 x 100mm	Requires display specific PLP adapter plate (sold separately)	—	100 x 100, 200 x 100, 200 x 200, 300 x 300mm	From 200 x 100 up to 400 x 400mm <small>ACC-V800X available for 600 x 400 and 800 x 400mm patterns</small>	—
Adjustable mounting pattern (W x H)	—	729 x 433mm (28.70" x 17.05")	Requires display specific PLP adapter plate (sold separately)	729 x 433mm (28.70" x 17.05")	—	—	—
Distance from the wall, corner or ceiling	11.56" (294mm) <small>(from the wall)</small>	3.40"–11.90" (86–302mm) <small>(from the wall)</small>	8.75" (222mm) <small>(from the wall) PS-1</small> 10.12" (257mm) <small>(from the wall) PS-2</small>	18.04"–25.79" (458–655mm) <small>(from the corner)</small>	4.28" (109mm) <small>(from the wall)</small>	Up to 12' (3657mm) <small>(Varies depending on ceiling plate and extension column used)</small>	9.35" (23mm) <small>(from the ceiling)</small>
Tilt swivel roll	0°, 3.5°, and 7° —	0°, 5° or 10° ±45° ±1°	+10°/-5° ±15°	0°, 5° or 10° ±45° ±1°	5, 10, 15, 20° 360° (ceiling mounted)	+15° / -0°	5, 10, 15, 20° 360°
Horizontal display adjustment	—	up to 3.5" (89mm)	4"	3.5" (89mm)	—	—	—
Landscape to portrait	Yes	—	—	—	Yes	Yes	—
Security	—	Yes	Yes	Yes	Yes	Yes	Yes
Max load	270lb (122kg)	150lb (68kg)	150lb (68kg) <small>PS-1</small> 225lb (102kg) <small>PS-2</small>	150lb (68kg)	150lb (68kg)	125lb (57kg)	300lb (136kg)
Listings							

MULTI-DISPLAY CEILING MOUNTS



MDJ models

MULTI-DISPLAY IN-LINE, CURVILINEAR AND CIRCULAR CEILING MOUNTS

COLOR: Black

- Multi-display for 3 to 4 flat panel displays
- Multiple drop down length options from 1'-12'
- Mounts to virtually all ceiling surfaces
- Theft-resistant security fasteners secure the display to the mount to keep equipment safe
- Requires accessories - PLCM-2, ACC600, DCS, DCT, ADD, AEC or EXT, see page 24

Accessories page 24

BACK-TO-BACK CEILING MOUNTS



DST965 shown

- 1. CONVENIENT STORAGE**
Two component shelves provide storage for standard size computers
- 2. CLEAN PROFILE**
Side panels hide cables and media players from view
- 3. UNIVERSAL**
Accommodates mounting patterns up to 729 x 433mm



PLB-1

DUAL DISPLAY CEILING MOUNT

COLOR: Black

- Dual display for flat panel displays
- Multiple drop down length options from 1'-12'
- Mounts to virtually all ceiling surfaces
- Theft-resistant security fasteners secure the display to the mount to keep equipment safe
- Requires accessories - DCS, DCT, ADD, AEC or EXT, see page 24

Accessories page 24



DST965

BACK-TO-BACK CEILING MOUNT WITH MEDIA PLAYER STORAGE

COLOR: Black

- Holds two displays back-to-back at a 20° fixed tilt
- Removable side panels for easy maintenance
- Two component shelves provide storage for standard size computers
- Cables are routed through the column for a clean appearance
- Comes standard with Peerless-AV universal mounting brackets
- Security hardware to deter tampering and loss

Media storage shelves

Display size	32" to 50"
VESA® pattern	Requires display specific PLP adapter plate (sold separately)
Adjustable mounting pattern (W x H)	Requires display specific PLP adapter plate (sold separately)
Distance from ceiling	1'-12' (300-3657mm) <i>(Varies depending on ceiling plate and extension column used)</i>
Tilt swivel	+20° 360°
Pipe length	MDJ700: 120" (3048mm) MDJ701: 120" (3048mm) MDJ710: 180" (4572mm) MDJ711: 180" (4572mm) MDJ720: 240" (6096mm) MDJ721: 240" (6096mm) MDJ760: —
Landscape to portrait	Yes
Security	Yes
Max load	600-1200lb (272-545kg) <i>(Depending on ceiling attachments used)</i>
Listings	RoHS USA

Display size	30" to 65"	40" to 65"
VESA® pattern	Requires display specific PLP adapter plate (sold separately)	Up to 600 x 400mm
Adjustable mounting pattern (W x H)	Requires display specific PLP adapter plate (sold separately)	729 x 433mm (28.70" x 17.05")
Distance from ceiling	Up to 12' (3657mm) <i>(Varies depending on ceiling plate and extension column used)</i>	Up to 12' (3657mm) <i>(Varies depending on ceiling plate and extension column used)</i>
Tilt swivel	+20° 360°	Fixed 20° 360°
Landscape to portrait	Yes	—
Security	Yes	Yes
Max load	300lb (136kg)	300lb (136kg)
Listings	RoHS USA	RoHS USA

STANDS AND CARTS



- 1. NO WALL, NO PROBLEM!**
Complementing the décor of any environment, this stand is the ideal addition, when mounting to a wall is not an option
- 2. CLEAN APPEARANCE**
Cables are easily routed from display to base of the stand for a clean installation
- 3. TAMPER-PROOF BASE**
Keep devices and content drivers safely hidden from sight
- 4. SUBTLE STRENGTH**
Attractive base supports up to 400lb (181kg)



SR560M

FLOOR CART
COLOR: : Black

SR560M: Black cart with metal shelf

- Incremental tilt of -2°, 0°, and +5° locks in the ideal viewing angle
- Maneuvers easily on 4" (101mm) swivel casters, with 2 of them locking
- Adjustable metal shelf holds AV components and accessories
- Internal cable management for clean, clutter free appearance



SS560M

FLOOR STAND
COLOR: : Black

SS560M: Black stand with metal shelf

- Incremental tilt of -2°, 0°, and +5° locks in the ideal viewing angle
- Adjustable feet to help compensate for uneven floor surfaces
- Adjustable metal shelf holds AV components and accessories
- Internal cable management for clean, clutter free appearance



SS560F

FLOOR STAND
COLOR: Black

- Incremental tilt of -2°, 0°, and +5° locks in the ideal viewing angle
- Continuous vertical adjustment for perfect viewing height
- Internal cable management for clean, clutter free appearance



SC560DPB | SC560DPS

FLOOR CART
COLOR: : Black

SC560DPB: Black poles and black base
SC560DPS: Chrome poles and black base

- Chrome or black posts to match the décor of any room or space
- Incremental tilt of -2, 0, and +5 and locks in the ideal viewing angle
- Internal cable management for clean, clutter free appearance
- Maneuvers easily on 4" (101mm) swivel casters, with 2 of them locking



SS560DPB | SS560DPS

FLOOR STAND
COLOR: : Black

SS560DPB: Black poles and black base
SS560DPS: Chrome poles and black base

- Chrome or black posts to match the décor of any room or space
- Incremental tilt of -2, 0, and +5 and locks in the ideal viewing angle
- Internal cable management for clean, clutter free appearance



FPZ-600

FLOOR STAND
COLOR: Black

- Fits single or back-to-back 32" to 70" flat panel displays. Up to four displays with additional dual display cartridge
- Portrait or landscape orientation
- Internal cable management for a clean clutter free appearance



FPZ-670

FLOOR STAND
COLOR: Black

- For back-to-back 50" to 71" flat panel displays
- Internal cable management for clean, clutter free appearance
- Base cover is designed to conceal content drivers and surge protectors
- Hook on design allows display to rest in place while it is being secured

Accessories page 24

	SR560M	SS560M	SS560F	SC560DPB SC560DPS	SS560DPB SS560DPS	FPZ-600	FPZ-670
Display size	32" to 65"	32" to 65"	32" to 65"	32" to 65"	32" to 65"	32" to 70"	50" to 71"
VESA® pattern	Up to 600 x 400mm	Up to 600 x 400mm	Up to 200 x 200mm <i>Additional non-VESA® display adapter plates also available</i>	Up to 200 x 200mm <i>Additional non-VESA® display adapter plates also available</i>	Up to 200 x 200mm <i>Additional non-VESA® display adapter plates also available</i>	100, 200 x 100 and 200 x 200mm <i>Additional non-VESA® display adapter plates also available</i>	100, 200 x 100 and 200 x 200mm <i>Additional non-VESA® display adapter plates also available</i>
Adjustable mounting pattern (W x H)	729 x 433mm (28.70" x 17.05")	729 x 433mm (28.70" x 17.05")	—	—	—	—	—
Vertical adjustment	Continuous	Continuous	Continuous	Continuous	Continuous	Continuous	Continuous
Tilt swivel	-2°, 0°, +5° 360°	-2°, 0°, +5° —	-2°, 0°, +5° —	-2°, 0°, +5° 360°	-2°, 0°, +5°	—	—
Landscape to portrait	Yes	Yes	Yes	Yes	Yes	Yes	Yes
Security	Yes	Yes	Yes	Yes	Yes	Yes	Yes
Max load	250lb (113kg) 150lb (68kg) display 50lb (22kg) shelf	250lb (113kg) 150lb (68kg) display 50lb (22kg) shelf	160lb (72.5kg)	150lb (68kg)	160lb (72.5kg)	200lb (90kg) per display up to four displays	200lb (90kg) per display up to two displays
Listings	UL RoHS MADE IN USA	UL RoHS MADE IN USA	UL RoHS MADE IN USA Pending	UL RoHS MADE IN USA Pending	UL RoHS MADE IN USA Pending	RoHS MADE IN USA	UL RoHS MADE IN USA Pending

WIND RATED MOUNTS FOR OUTDOOR DISPLAYS



ECMU-04-C-S shown

- 1. POLE LENGTH OPTIONS**
Four pole length options available for varied drop down requirements
- 2. SIMPLE SET-UP**
Hook-and-hang design helps make installation quick and easy
- 3. VIEWING ANGLE FLEXIBILITY**
Incremental tilt settings enable the best viewing angle

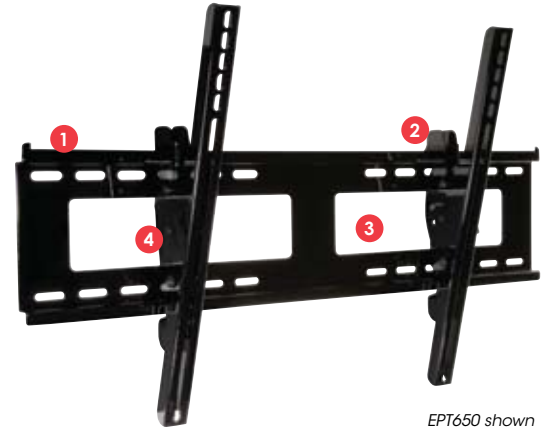


EWMU(-S)	ECMU-01/02/03/04-C(-S) ECMU-01/02/03/04-I(-S)	EPMU-05/06/07/08(-S)
WIND RATED WALL MOUNT COLOR: Black or stone gray	WIND RATED CONCRETE AND I-BEAM CEILING MOUNT COLOR: Black or stone gray	WIND RATED PEDESTAL MOUNT COLOR: Black or stone gray
<ul style="list-style-type: none"> Wind rated up to 110 mph, elevation 200ft (60m), Category "D" Fixed incremental tilt with angle settings at 0°, 2°, 5°, 10° or 15° Hook-and-hang design for simplified installation Constructed from corrosion resistant materials, primed with an E-coat and comes with stainless steel hardware 	<ul style="list-style-type: none"> Wind rated up to 90 mph, elevation 200ft (60m), Category "D" Internal cable management Hook-and-hang design for simplified installation Constructed from corrosion resistant materials, primed with an E-coat and comes with stainless steel hardware 1', 2', 3' or 4' pole length options I-beam model adjusts for 6" -12" I-beam flanges 	<ul style="list-style-type: none"> Wind rated up to 110 mph, elevation 200ft (60m), Category "D" Internal cable management Hook-and-hang design for simplified installation Constructed from corrosion resistant materials, primed with an E-coat and comes with stainless steel hardware 5', 6', 7' or 8' pedestal height options

Accessories page 24

Display size	32" to 65"	32" to 65"	32" to 65"
VESA® pattern	600 x 400mm	600 x 400mm	600 x 400mm
Adjustable mounting pattern (W x H)	720 x 449mm (28.35" x 17.67")	720 x 449mm (28.35" x 17.67")	720 x 449mm (28.35" x 17.67")
Distance from the wall, ceiling or floor	3.79" (96mm) (from the wall)	1', 2', 3' or 4' pole length options (from the ceiling)	5', 6', 7' or 8' pedestal height options (from the floor)
Tilt swivel	+15°/-5°	+15°/-5° 360° (22° increments)	+15°/-5° 360° (22° increments)
Horizontal display adjustment	8" (203mm)	8" (203mm)	8" (203mm)
Landscape to portrait	Yes	Yes	Yes
Security	Yes	Yes	Yes
Max load	200lb (91kg)	200lb (91kg)	200lb (91kg)
Listings	osdp, e, RoHS, MADE IN USA	e, RoHS, MADE IN USA	e, RoHS, MADE IN USA

OUTDOOR MOUNTS



EPT650 shown

- 1. EASY DISPLAY CENTERING**
8" (203mm) of horizontal adjustment for ideal display position
- 2. SIMPLE SET-UP**
Hook-and-hang design helps attach enclosure to mount and hold the weight load while fine-tuning adjustments
- 3. EASY ACCESS**
Open wall plate design provides easy access and pass through of cables to internal and external power and content sources
- 4. VIEWING ANGLE FLEXIBILITY**
Incremental tilt settings enable the best viewing angle

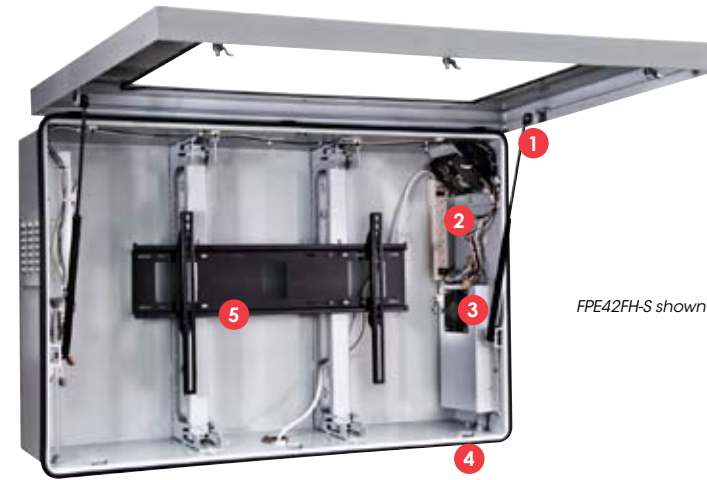


EPT650(-S)	ESA746PU(-S)	ESA763PU
UNIVERSAL OUTDOOR TILT WALL MOUNT COLOR: Black or stone gray	CORROSION RESISTANT ARTICULATING MOUNT COLOR: Black or stone gray	CORROSION RESISTANT ARTICULATING MOUNT COLOR: Black
<ul style="list-style-type: none"> Constructed from corrosion resistant materials, primed with an E-coat and comes with stainless steel hardware Double stud mounting with 16", 20" and 24" stud placements Security hardware and optional lock down channels to add a pad lock for additional security Wood, concrete or cinder block mounting hardware included 	<ul style="list-style-type: none"> Constructed from corrosion resistant materials, primed with an E-coat and comes with stainless steel hardware Cable management to conceal cables and wires 21.03" (534mm) arm extension; collapsed 4.28" (109mm) from the wall Display side and wall side security hardware included Wood, concrete or cinder block mounting hardware included 	<ul style="list-style-type: none"> Constructed from corrosion resistant materials, primed with an E-coat and comes with stainless steel hardware Cable management to conceal cables and wires 27.55" (700mm) arm extension; collapsed 4.43" (113mm) from the wall Display side and wall side security hardware included Wood, concrete or cinder block mounting hardware included

Accessories page 24

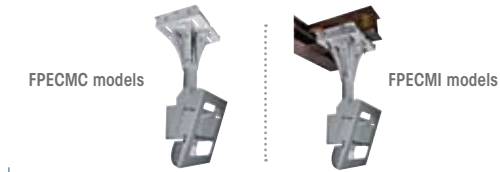
Display size	32" to 55"	26" to 46"	37" to 63"
VESA® pattern	up to 600 x 400mm	up to 400 x 400mm	up to 600 x 400mm
Adjustable mounting pattern (W x H)	738 x 449mm (29.04" x 17.67")	432 x 408mm (17.00" x 16.06")	687 x 439mm (27.06" x 17.29")
Distance from the wall	2.58" (66mm)	4.28"-21.03" (109-534mm)	4.43"-27.55" (113-700mm)
Tilt swivel roll	+15°/-5°	+15°/-5° ±90° ±5°	+15°/-5° ±90° ±5°
Horizontal display adjustment	8" (203mm)	—	up to 4.5" (114mm)
Landscape to portrait	—	—	Yes
Security	Yes	Yes	Yes
Max load	175lb (79kg)	80lb (36kg)	200lb (91kg)
Listings	osdp, e, RoHS, MADE IN USA	e, RoHS, MADE IN USA	e, RoHS, MADE IN USA

INDOOR/OUTDOOR PROTECTIVE ENCLOSURES



FPE42FH-S shown

- 1. EASY DISPLAY ACCESS**
Gas struts deliver easy access to display for installation and maintenance
- 2. COMPONENT POWER**
6 outlet 115V 15A power strip provides power to internal components
- 3. CIRCULATION FANS**
Ensure proper air flow within the unit
- 4. RUBBER GASKET SEAL**
Protects from ingress of water and other harmful elements
- 5. UNIVERSAL COMPATIBILITY**
Unit includes Peerless-AV universal flat panel mount PF660 that accommodates flat panel displays with up to 600 x 400mm VESA® mounting pattern



FPE42F(H)-S

FPE47F(H)-S

FPE55F(H)-S

FPEWM

FPECMC/FPECMI-01/-02/-03/-04 models

FPEPM-05/-06/-07/-08 models

PROTECTIVE ENCLOSURE COLOR: Stone Gray

- Protect flat panel display from rain, snow, dust, vandalism and wet washing
- Specifically designed to protect flat panel displays year round in public arenas such as schools, courtyards, stadiums, hallways, cafeterias, gymnasiums or quads
- For indoor or outdoor applications, with climate controlled circulation fans and heater features
- Solid steel construction with corrosion resistance and integrated security locks

TILT WALL MOUNT FOR PEERLESS-AV PROTECTIVE ENCLOSURES COLOR: Stone Gray

- Constructed from corrosion resistant materials, primed with an E-coat and comes with stainless steel hardware
- Hook-and-hang design helps attach enclosure to mount and hold the weight load while fine tuning tilt adjustments

CONCRETE AND I-BEAM CEILING MOUNTS FOR PEERLESS-AV PROTECTIVE ENCLOSURES COLOR: Stone Gray

- Constructed from corrosion resistant materials, primed with an E-coat and comes with stainless steel hardware
- Hook-and-hang design helps attach enclosure to mount and hold the weight load while fine tuning tilt adjustments
- 1', 2', 3' or 4' pole length options
- Internal cable management
- I-beam model adjusts for 5.45" - 12.45" I-beam flanges

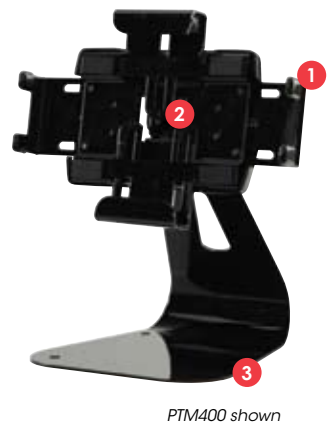
PEDESTAL MOUNT FOR PEERLESS-AV PROTECTIVE ENCLOSURES COLOR: Stone Gray

- Constructed from corrosion resistant materials, primed with an E-coat and comes with stainless steel hardware
- Hook-and-hang design helps attach enclosure to mount and hold the weight load while fine tuning tilt adjustments
- 5', 6', 7' or 8' pedestal height options
- Internal cable management

Accessories page 24

	FPE42F(H)-S	FPE47F(H)-S	FPE55F(H)-S	FPEWM	FPECMC/FPECMI-01/-02/-03/-04 models	FPEPM-05/-06/-07/-08 models
Display size	40" to 42"	46" to 47"	52" to 55"	Only for use with Peerless-AV Enclosures	Only for use with Peerless-AV Enclosures	Only for use with Peerless-AV Enclosures
Adjustable mounting pattern (W x H)	730 x 433mm (28.75" x 17.05")	730 x 433mm (28.75" x 17.05")	730 x 433mm (28.75" x 17.05")	Not adjustable; 406 x 406mm (16" x 16")	Not adjustable; 406 x 406mm (16" x 16")	Not adjustable; 406 x 406mm (16" x 16")
Distance from the wall, ceiling or floor	11.68" (297mm) <i>(from the wall)</i>	11.68" (297mm) <i>(from the wall)</i>	11.68" (297mm) <i>(from the wall)</i>	6.26" (159mm) <i>(from the wall)</i>	1', 2', 3' or 4' pole length options <i>(from the ceiling)</i>	5', 6', 7' or 8' pedestal height options <i>(from the floor)</i>
Tilt swivel	—	—	—	+20° 0°	+20° 360°	+15° 360°
Security	Includes stainless steel key lock	Includes stainless steel key lock	Includes stainless steel key lock	Yes	Yes	Yes
Max load	250lb (113kg)	250lb (113kg)	250lb (113kg)	400lb (181kg)	400lb (181kg)	400lb (181kg)
Ambient Temperature Exposure Unheated Models	41° - 95° F (5° - 35° C)	41° - 95° F (5° - 35° C)	41° - 95° F (5° - 35° C)	—	—	—
Ambient Temperature Exposure Heated Models	10° - 95° F (-12° - 35° C)	10° - 95° F (-12° - 35° C)	10° - 95° F (-12° - 35° C)	—	—	—
Max Power Load Unheated Models	1550 WATTS	1550 WATTS	1550 WATTS	—	—	—
Max Power Load Heated Models	700 WATTS	700 WATTS	700 WATTS	—	—	—
Listings						

UNIVERSAL TABLET MOUNTS



PTM400 shown

- 1. UNIVERSAL**
Adjustable height and width, providing a universal fit for most tablets
- 2. VERSATILE**
±30° of One-Touch™ tilt and swivel and 360° of roll to achieve virtually any viewing angle
- 3. SLEEK AND STYLISH**
Two color options available for coordinating with tablet aesthetics
- 4. SECURE**
Option to place on desk or secure down with theft resistant security screws



PTM200(-S)



PTM400(S)(-W)

UNIVERSAL TABLET CRADLE
COLOR: Black or silver

- Adjustable height and width, providing a universal fit for most tablets
- Stylish cover for improved aesthetics
- Easily attaches to any 75 x 75mm VESA® mount
- Two color options available for coordinating with tablet aesthetics

UNIVERSAL DESKTOP TABLET MOUNT
COLOR: Black or white

- Adjustable height and width, providing a universal fit for most tablets
- Stylish cover for improved aesthetics
- ±30° of One-Touch™ tilt and swivel
- 360° of roll for versatile placement options
- Option to place on desk or secure down with theft-resistant security screws
- Two color options available for coordinating with tablet aesthetics

Tablet size	7.68" to 13.75" (195-349mm) <small>* tablet must be between 0.3"-0.75" deep</small>	7.68" to 13.75" (195-349mm) <small>* tablet must be between 0.3"-0.75" deep</small>
VESA® pattern	75 x 75mm	—
Distance from the wall	—	—
Tilt swivel roll	—	±30° One-Touch™ tilt ±30° 360°
Landscape to portrait	—	Yes
Max load	5lb (2.27kg)	5lb (2.27kg)

CABLES



DEB-CV05/10/15/20

DEW-HD05 | DEB-HD10/15/20

SLW-HDRU05 | SLW-HDRZ05

HIGH PERFORMANCE COMPONENT AUDIO VIDEO CABLE

- Exacting cable geometry delivers outstanding sound quality and clarity
- HD 1080i/720p compatible
- 24K gold-plated contacts for superior signal transfer
- Color coded connector ends identify red, green or blue signal conductor
- PCOFC oxygen free conductors minimize signal loss and distortion
- Braided PCOFC outer shielding and Aluminum foil inner shielding for protection against external electrical (EMI) and radio (RFI) interference
- PVC outer jacket for enhanced durability
- Foamed PE dielectric further enhances performance

HIGH SPEED HDMI® CABLE WITH ETHERNET

- 3DTV compatible (stereo 1080p image resolution)
- Ethernet channel for connecting Internet-enabled AV devices minimizing cabling
- Audio return channel eliminates need for additional audio cable between display with integrated receiver and amplifier
- Supports 4k x 2k image resolutions (2160p) and FULL HD (1080p) compatible
- Increased color profile support for digital cameras
- Exacting cable geometry delivers high speed data transfer rates
- 24K gold-plated contacts for superior signal transfer
- PCOFC oxygen free conductors minimize signal loss and distortion
- Braided PCOFC outer shielding and Aluminum foil inner shielding for protection against external electrical (EMI) and radio (RFI) interference

HIGH SPEED HDMI® CABLES WITH ETHERNET FOR REAR MOUNTED CONNECTIONS

- Right-angled HDMI® connector projects only 14mm from rear of display's HDMI socket (plug inserted)
- Ultra slim flat cable 3mm
- Right angled (90°) HDMI connection fits the vast majority of flat panel displays with a horizontal HDMI socket (SLW-HDRU05)
- Right angled (270°) HDMI connection fits the vast majority of flat panel displays with side mounted HDMI sockets (SLW-HDRZ05)
- 100Mbps Ethernet Channel for connecting Internet-enabled AV devices minimizing cabling
- Audio Return Channel eliminates need for additional audio cable between display with integrated receiver and Amplifier
- Supports 4k x 2k image resolutions (2160p) @ 24Hz and FULL HD (1080p) compatible

Lengths 16' (5m) / 32' (10m) / 49' (15m) / 65' (20m)

16' (5m) / 32' (10m) / 49' (15m) / 65' (20m)

16' (5m)

COMPUTER STORAGE ACCESSORIES



DS334



DS416



DS495



DS578

MEDIA STORAGE MOUNTING BRACKET
COLOR: Black

- Houses computers up to 4.25" x 16.75" x 19" (103 x 425 x 483mm)
- For use with ST/SF SmartMount® line, sold separately

PLASMA/LCD COMPUTER MOUNTING BRACKET
COLOR: Black

- Houses computers up to 2.89" x 6.25" x 6.56" (73 x 159 x 167mm)
- For use with ST/SF SmartMount® line, sold separately

CUSTOM APPLE MAC MINI MOUNTING PLATE
COLOR: Black

- Houses Apple® Mac Mini computer and AC power adapter
- For use with Peerless-AV PLCM-2, sold separately

ACCESSORY STORAGE
COLOR: Black

- Houses Enseo® HD2000 media controller
- For use with ST/SF SmartMount® line, sold separately (Not for use with SF640 model)

Listings **RoHS** **USA**

Listings **RoHS** **USA**

Listings **RoHS** **USA**

Listings **RoHS** **USA**

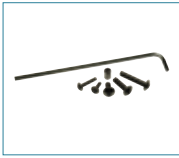
ACCESSORIES

ACC615



Metal Stud Fastener Kit - 6 toggles

ACC925



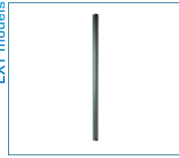
Security Fasteners for SA745PU, SA750PU, SA760PU & SA770PU Wall Arms

CMU470/480/490



Ceiling Plates
Additional ceiling plates available, visit www.peerless-av.com

EXT models



Fixed Extension Columns
Various lengths available, visit www.peerless-av.com

ADJ models



Adjustable Extension Columns
Various lengths available, visit www.peerless-av.com

PLP-UNL



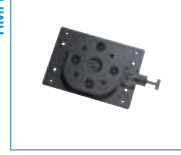
Display Adapter Plate
Additional display adapter plates available, visit www.peerless-av.com

PLP-V4X2



Display Adapter Plate

RMI1



Landscape to Portrait Accessory

ACC604



Dual-display Cartridge for Flat Panel Stand, FPZ-600

ADD models



Fixed or Adjustable Extension Columns for Ceiling Decouplers
Visit www.peerless-av.com

DCS400



Multi-display Structural Ceiling Stress Decoupler

DCT300



Multi-display Truss Ceiling Stress Decoupler

DCT500/600/700/800/900



Multi-display I-beam Clamps

ACC600



Multi-display Interface Bracket

PLCM-2



Dedicated Ceiling Base Mount for PLCM-UNL[1]-[CP]

ACC310



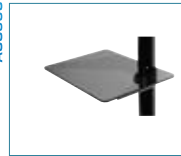
Feet Accessory for Flat Panel Cart, SR560M/G

ACC325



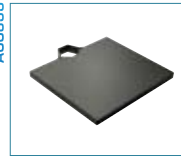
Accessory Shelf for Flat Panel Stand, FPZ-600

ACC330



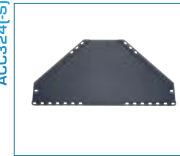
AV Component Shelf for Flat Panel Stand, FPZ-640

ACC833



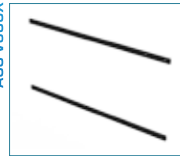
Equipment Accessory Shelf for Pedestal Mount, COL510P-810P

ACC324(S)



Corner Mount Shelf for CM850[-S], CM60[-S], CM50[-S]

ACC-V800X



VESA® 800 x 400mm Adapter

CUSTOM SOLUTIONS FOR ANY INSTALLATION

If you're looking for something specific that you don't see, just let us know and we will build it for you. Peerless-AV is the industry leader in custom AV solutions.

Over the years we've developed innovative audio visual solutions for a wide variety of applications: hotels, stadiums, airports, schools, churches, retail stores, entertainment venues, bars, restaurants and more. Just because it doesn't exist yet, doesn't mean we can't design and manufacture it for you.

peerless-AV™



LIT-0404 Rev.4

© 2012 Peerless Industries, Inc. Peerless-AV™ is a trademark of Peerless Industries, Inc. All rights reserved. Other parties' marks are the property of their respective owners.



info.peerless-av.com/digitalsignage

www.peerless-av.com
800-865-2112